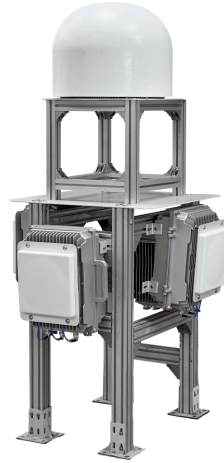


Counter-UAS System

UADS-ZG13



Key Features



- Internal energy storage batteries can be added to meet the needs of various application scenarios.
- Multiple devices can be combined for spectrum-coordinated jamming operations (e.g., if a drone intrusion is detected from the north, the northern jamming module can be activated separately for a strike).
- Whitelist and blacklist: The same orientation, frequency band, brand, and model of drones can be marked with whitelist and blacklist tags.
- Unattended mode: After activating full automatic defense, the system can enter unattended mode for autonomous detection. (When equipped with a strike system, the strike mode is automatically activated).
- Remote controller recognition: Can recognize ≥ 12 different non-DJI model drone remote controllers simultaneously.

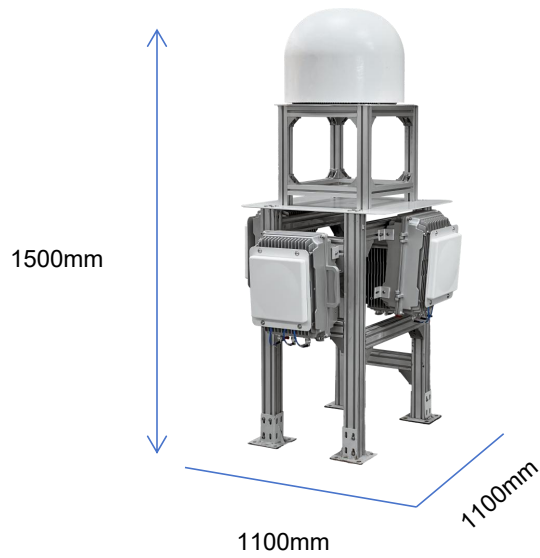
Specifications

UADS-ZG13 Detection and Fighting Defense System			
Disturbance parameters			
	Channel 1	Channel 2	Channel 3
parameters	typical value	typical value	typical value
operating frequency	1550~1620MHz	2400~2485MHz	5725~5850MHz
output power	30W	30W	25W
output standing wave	≤2.0		
operating voltage	AC220V		
Maximum operating current	2.6A (28v)	2.6A (v)	2.3A (28v)
work efficiency	≥40%	≥40%	≥40%
source of interference	Built-in high-speed sweep source		
connection with high-ranking officials	Directional flat antenna (see table below for parameters)		
containment	The network port can be controlled by software for each switch		
radius of interference	1-5km (depending on environment/model)		
Antenna Parameters Electrical indicators			
frequency range	1560-1620MHz	2400-2500MHz	5700-5900MHz
gain (electronics)	8±1dBi	10±1dBi	13±1dBi
Horizontal flap width	70±5°	50±5°	40±5°
Vertical flap width	65±6°	40±5°	35±5°
aspect ratio	> 24dB		
standing wave	≤2.0		
(electrical) impedance	50Ω		
polarization mode	circular polarization	V	V
maximum power	50W		
Connector type	3*SMA-K		
lightning protection	DC Grounding		
Mechanical indicators			
wind force	36.9m/s		
Antenna housing material	ABS		

Specifications

Detection parameters	
detection band	2.4G, 5.8G, 5.1G, 900M, 400M
detection radius	≥7.5km
Recognition radius distance	7.5 KM kilometers, capable of recognizing drone brands and models
Detection angle	360°
Detection angle accuracy error (rms)	Distance 5KM or more ≤ 1°
Response time for drone radio interception	≤2s
Minimum detection height	≤0 meters
Detection success rate	≥99%
Number of drones detected simultaneously	≥ 60
Ability to detect and recognize different protocols	LightBridge1, LightBridge2; Ocusync; WIFI and WIFI variants; Zigbee; Bluetooth
Non-database black-flying drones	Capable of detection
False alarm rate requirement	The drone defense system continuously detects for 2 hours, and the alarm rate is less than 1 flight when there is no drone flying within the detection range.
protection class	≥P66
Log saving function	Greater than or equal to 5 years
black and white list	Detection is performed for blacklists, whitelists are not prompted.
Power Consumption	≤1000W
Size of the whole machine	Approx. 1500*1100*1100mm
Weight	Approx. 80kg
operating temperature	-30 to +70°C (refer to "Derating Curve")
Operating humidity	20~90%RH non-condensing

Equipment size



*Please refer to the actual product. The equipment provides different customized styles.