

Counter-UAS System

UADS-PZG03



Key Features



- Ability to work around the clock
- With high reliability, unattended, remote control and telemetry work function
- Full digital active phased array technology system, sending and receiving DBF technology;
- Adaptive dynamic target detection and Doppler clutter suppression technology;
- High mobile target stability tracking technology
- With the fully automatic information admission and reporting function
- Has the function of target classification and discrimination
- It has the standard intelligence interface format, network deployment, and data fusion functions
- Digital T / R technology and highly integrated rf and digital integrated design technology;
- Electromagnetic compatibility meets the use requirements of the airport environment
- Disassembly, transportation, erection, use and maintenance are convenient

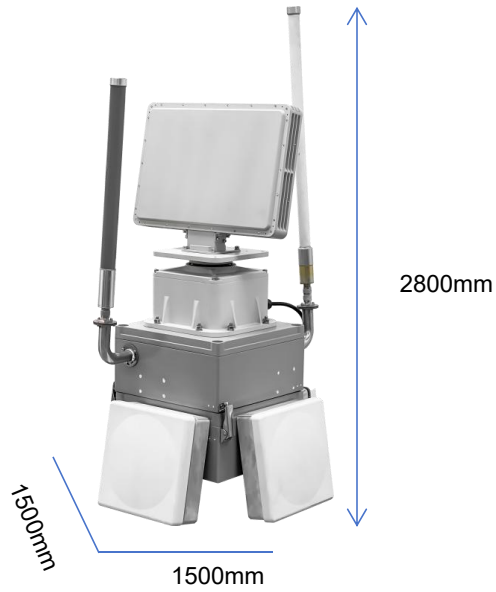
Specifications

Model	UADS-PZG03 Drone Defense System				
functional parameter	main performance	Domestic standard edition	Domestic high-end version	an international edition	
Configuration selection	System detection configuration	Radar working frequency band	Radar working band: 5400-5600 MHz (International Radio Union ISM)		
		Spectrum detection frequency band	2400~2500MHz 5150~5975MHz	The 20 MHz-6GHz full frequency band	
		coverage	3km (2 dBi antenna / elf 4 Pro V2.0/50m high) Black flying distance: 2km km, found (including fpv) all drones	Identification distance: 5km km, can identify the brand and model of UAV Detection range: 7.5km km, discovery database UAV, with detection non-database communication protocol UAV Black flying distance: 2km km, found (including fpv black flying) all drones	
		Probe success rate	85%	99%	
	Protocol crack	not have	LightBridge1, LightBridge2; Ocusync; WIFI and WIFI variant		
	To take over	The lure frequency	GPS-L1		
		To lure distance	3KM		
	Interference suppression	Interference frequency band	1560-1620 MHz (navigation)	1560-1620 MHz (navigation)	840-868 MHz (flight control and map transfer)
			2400-2500 MHz (flight control and map transfer)	2400-2500 MHz (flight control and map transfer)	902-928 MHz (flight control and map transfer)
			5150-5850 MHz (flight control and map transfer)	5150-5850 MHz (flight control and map transfer)	1560-1620 MHz (navigation)
			--	--	2400-2500 MHz (flight control and map transfer)
			--	--	5150-5850 MHz (flight control and map transfer)
coverage	500M	1000m	500M		

Specifications

Mechanical indicators			
1	Dimensions (after deployment)	≤1500mm×1500mm×2800mm	
2	weight	25kg (equipment)	The weight of the whole system
		15kg (tripod)	External spectrum weight
4	working temperature	-40°C ~ 55°C	
5	storage temperature	-45°C ~ 65°C	
6	levels of protection	Ip65	
7	Working humidity	≤ 95%	
8	data interface	RJ45	
9	Power interface	Voltage: AC180V~250V	
		Power: 100W (detection mode), 600W (counter mode)	
System indicators			
1	Set up completion time	≤15min	
2	pack	Two boxes	
3	Platform function	Real-time detection, alarm, automatic countermeasures, manual countermeasures, GIS map, data storage, event query	

Equipment size



*Please refer to the actual product. The equipment provides different customized styles.

Equipment structure

