

Drone RF Detection

UAD-ZQY03Pro



Key Features

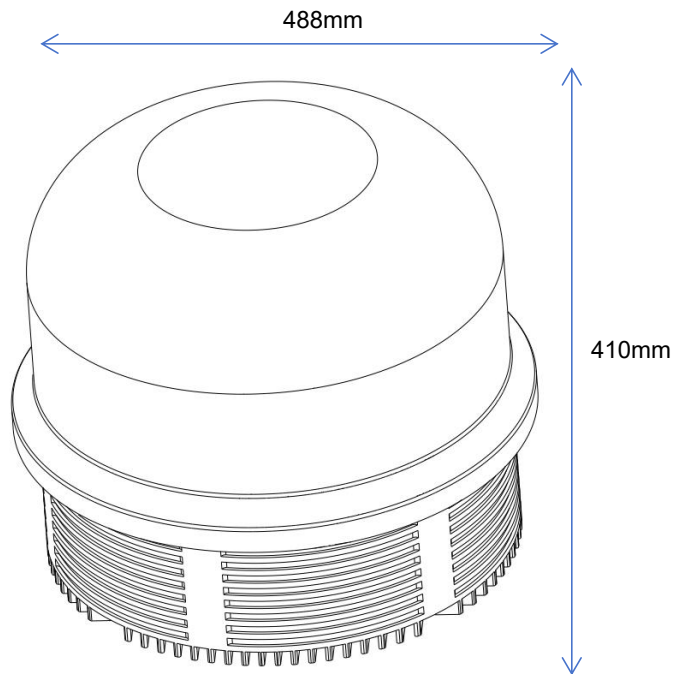


- **Whitelist and Blacklist:** Ability to set whitelists and blacklists for specified drones.
- **Unmanned Operation:** Once fully automatic defense is activated, the system can operate in an unmanned mode, autonomously detecting. When equipped with a strike system, it automatically activates the strike mode.
- **Remote Controller Recognition:** Capable of recognizing ≥ 12 different types of non-DJI model aircraft drone controllers at one time.
- **Precise Identification:** Capable of precisely identifying the model and unique electronic fingerprint of drones, and simultaneously recognizing ≥ 35 different brands of drones and their corresponding IDs (identity verification).
- **Advanced Early Warning Capability:** No need for the drone to take off; detection is possible as soon as the drone is powered up on the ground, providing advanced early warning.

Specifications

Parameter	Specification
Detection Frequency Band	20 MHz - 6 GHz
Detection Radius	≥5 km
Identification Radius Distance	≥5 km, capable of identifying drone brands and models
Detection Angle	360°
Detection Angle Accuracy (RMS)	≤ 1° at 5 km or more
Drone Radio Interception Response Time	≤2 seconds
Minimum Detection Altitude	≤0 meters
Detection Success Rate	≥99%
Number of Drones Detected Simultaneously	≥60
Capability to Detect Different Protocols	LightBridge1, LightBridge2; Ocusync; WIFI and WIFI variants
Capability to Detect Non-Database Drones	Capable
False Alarm Rate Requirement	Less than 1 alarm per 2 hours of continuous operation without drones in detection range
Protection Level	≥IP66
Log Retention Capability	≥5 years
Total Power Consumption	≤100W
Main Unit Size	φ488mm x 410mm
Main Unit Weight	≤26 kg
Tripod Size	Maximum height 1.63m
Flight Case Size	800*700*600 mm
Operating Temperature	-30 to +70°C
Operating Humidity	20% to 90% RH non-condensing

Equipment size



*Please refer to the actual product. The equipment provides different customized styles.