

Photoelectric Detection System

UAD-EOC-MR



Key Features



- High-Resolution Imaging Provides real-time 1080P HD visible light images and 960P thermal imaging with built-in gamma correction, color enhancement, and Digital Detail Enhancement (DDE) engine.
- Multispectral All-Weather Monitoring Integrates visible light and infrared thermal imaging, adapting to various harsh weather conditions for effective imaging in complete darkness, low light, low contrast, direct sunlight, dense foliage, and foggy or dusty environments.
- Long-Range Detection and Target Discovery Features optional ultra-long automatic focusing visible light HD camera and uncooled infrared thermal imaging with continuous zoom lens, advanced synchronous auto-zoom, and fast focusing algorithms for accurate long-distance target detection and identification.
- Intelligent Tracking / Deep Learning Tracking Utilizes thermal or visible light full-screen scanning to lock onto targets within 40ms, capturing videos and photos, and providing millisecond-level tracking response supported by intelligent algorithms, with automatic target tracking and obstacle avoidance.

Specifications

Product model	UAD-EOC-MR Multi-spectral Imaging Ranging Photonics
Visible light camera	
Lens focal length	12.3--800mm
Maximum tracking distance	3km (Depends on the size of the target)
Image sensor	1/2.8' Progressive scan CMOS image sensor
Minimum illumination	Chroma:0.01 Lux Black and white:0.001Lux @
Camera function	Wide dynamic, strong light suppression, 3D noise reduction, automatic white balance
Field Angle	W:36.9°×19.4° ~ T:0.56°×0.3°
Day-night switching mode	Automatic color to black, day and night ICR infrared switching filter type
Signal-to-noise ratio	Greater than 52dB
Optical fogging	support
Thermal imaging camera	
Detector type	Uncooled vanadium oxide focal plane detector
Image size	640x512
Picture element	17μ m
Spectral range	8~14μ m
Thermal sensitivity NETD	≤40mK
Thermal image lens focal length	25--150mm
Maximum tracking distance	1.5km (Depends on the size of the target)
Field Angle	20.56°×16.51° ~ 4.15°× 3.32°
Field Angle	20.56°×16.51° ~ 4.15°× 3.32°
Video image	
Video-compression standard	H.265 /H.264/ MJPEG
Maximum resolution	Visible light: 1080P(1920x1080) or 4K(3840x2160) Thermal imaging: 1.3MP(1280x960)
multistream	1080P + Full D1 + HDMI/CVBS
Frame rate	25/30fps
OSD	Support multi-line country character, font, color, position custom

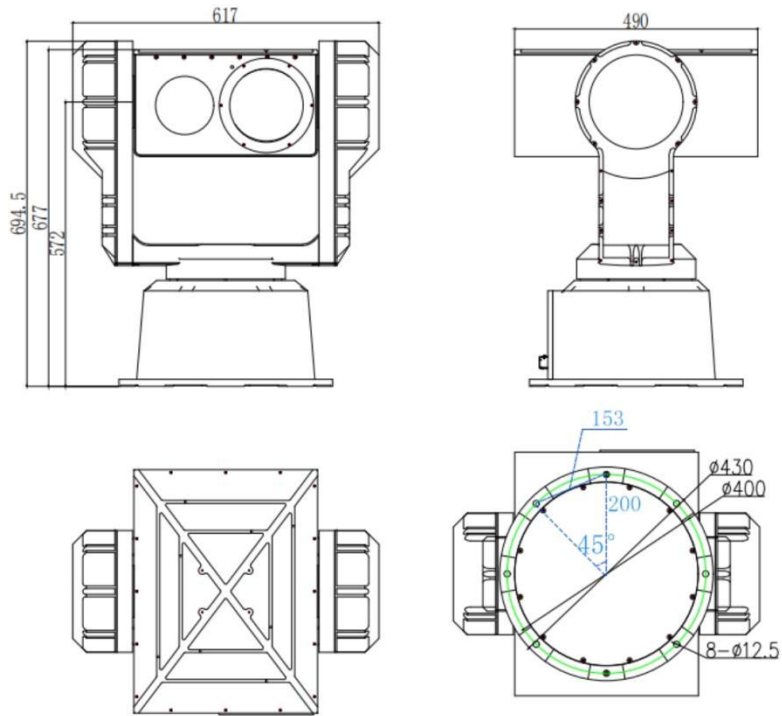
Specifications

holder	
Horizontal range	360° continuous infinite rotation
Horizontal velocity	Horizontal keying speed: 0.01°~80°/s
Vertical range	- 45 ° ~ 70 °
Vertical velocity	Vertical keying speed: 0.01°~60°/s
Preset bit call	160°/s
Preset bit accuracy	±0.01°
Number of preset bits	2048 pieces
Windscreen wiper	selectable
intelligence	
Intelligent tracking	Thermal target tracking, full screen tracking, guided tracking
Intelligent detection	Intelligent motion detection, sensor linkage, area intrusion detection, cross boundary detection, entry and exit direction detection, etc
Timed cruise	Periodically invoke preset points, fancy scan paths, and preset bit marshals
Watch function	Supports automatic return and lock after the idle state stays for a specified period of time
3D-positioning function	support
Telephoto limit	The speed of the PTZ is automatically adjusted with the lens magnification, and the PTZ control speed is automatically limited when the lens magnifies to telephoto
Other functions	Wide-angle lens distortion correction, gamma compensation and color enhancement, one-click factory reset, anti-flicker, four-stream, Heartbeat, image rotation, privacy area covering, watermarking technology, set access port

Specifications

Network function	
Supported protocol	IPv4, TCP/IP, UDP, HTTP, DHCP, RTP/RTCP/RTSP, FTP, UPnP, DDNS, NTP, IGMP, ICMP
Compatible protocol	ONVIF, GB/T 28181
secure	Password protection, multi-user access control
API integration	Provides SDK and CMS management platform software
port	
Network interface	1 个 RJ45 10M/100M Adaptive Ethernet port, dual-channel converged single-IP output
Communication interface	RS422x1, RS485x1
Audio interface	Linear input and output 1 each
Alarm interface	1 alarm input and 1 alarm output
Optional interface	BNC/SDI interface
基本特征	
Power source	DC24V ±15% (Photoelectric system) / AC220V (Pressing system)
Power dissipation	≤300W
Static/surge protection	Lightning protection, surge protection and surge protection, in line with GB/T17626.5 Level 4 standard
Protection level of PTZ	IP66
Operating temperature/humidity	-40°C ~ +60°C, humidness<90%
Storage temperature/humidity	-55°C ~ 70°C, humidness 20% ~ 95%
Size (mm)	≤618mm×500mm×675mm (Standard configuration is for reference only, except for custom equipment)
weight	≤75Kg It varies according to the option

Equipment size



*Please refer to the actual product. The equipment provides different customized styles.

Equipment size

